

**Canon**

CANON SOLUTIONS AMERICA

# Rising Above

  
**DICARLO**

SALES - SUPPLIES - REPAIRS - RENTALS

[www.dicarlotech.com](http://www.dicarlotech.com)

410-749-0112



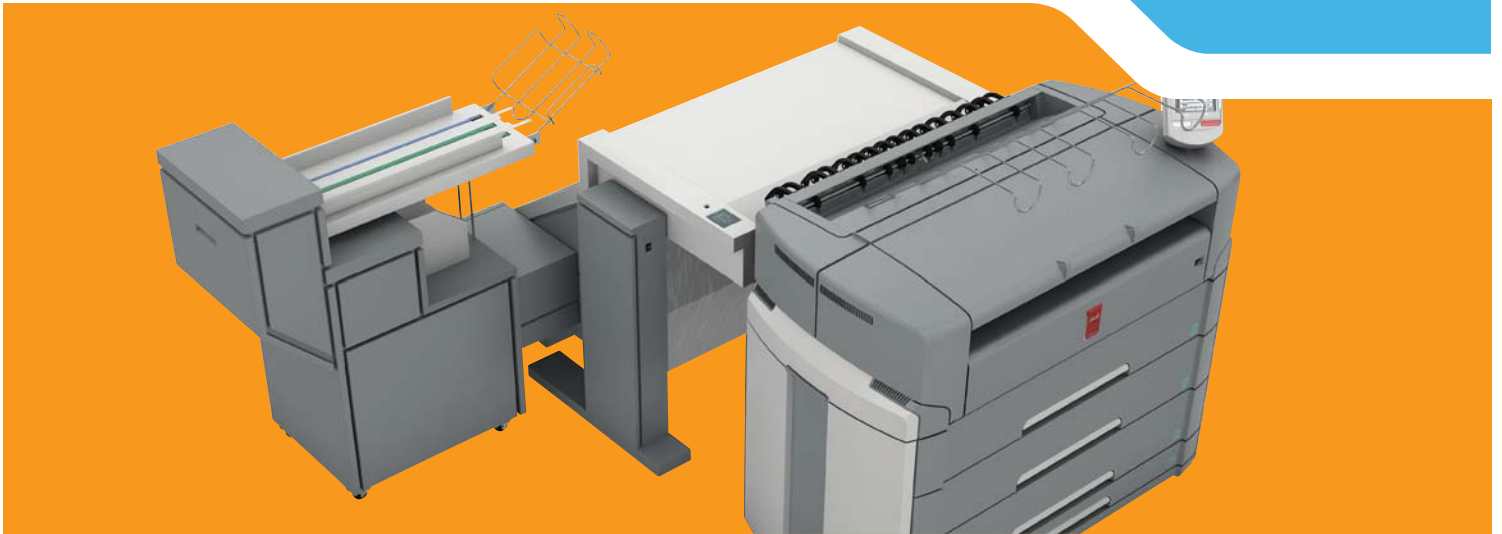
**Océ PlotWave 750 printing system**  
Proven technology for productive large format printing



# Rising Above

- Advanced networking and security
- Fast and productive
- Cost effective
- Easy to use





## Océ PlotWave 750 printing system

Proven technology for productive large format printing

Rise above the limits of your current large format document capabilities with the Océ PlotWave® 750 system. Gain the edge for your business. Print more flexibly. Protect vital data more securely. Produce documents faster and manage print jobs more easily. The Océ PlotWave 750 system helps you meet the complex document challenges faced in a departmental print setting or a productive, central print room environment. Based on the multi-award winning Océ TDS750 system, the Océ PlotWave 750 system will take your document capabilities to new heights.

Today the most advanced architectural, engineering and construction companies rely on Océ systems to help build the world around us. Their creations rise above past developments to become innovative masterpieces. The Océ PlotWave 750 system also rises above, enabling customers to communicate faster, more economically and more effectively.

## CREATE THE RIGHT FIT PRODUCTION SYSTEM FOR YOUR BUSINESS

- Choose the media set-up to fit your applications: 2 rolls, 4 rolls, 6 rolls or 1 or 2 drawers with cutsheet media
- Get an Océ TC4 color scanner option to handle color drawings and plans
- Add the Océ Double Decker Pro Stacker to handle 1,500 A- to E-size sheets for long unattended print runs
- Efficiently fold documents with the Océ Folder, a fully integrated folding solution
- Impress with consistent, high quality documents via 600 x 1200 dpi Pico Printing. Thanks to our universal software suite that looks and works the same across all Océ large format systems, the Océ PlotWave 750 printing system can be handled by any user without intensive training. Users can define job settings, run tasks on the user panel, driver or submission tool in the same way on all our color and black & white systems. This creates a uniform workflow across our Océ PlotWave 750 and Océ ColorWave® 650 systems.

## Océ PlotWave 750 printing system

### ADVANCED NETWORKING AND SECURITY

Many decisions in the technical world are made on site, and documents need to be updated and produced in flexible ways. Users can now use Océ Mobile WebTools or Océ Publisher Express software to capture changes and documents anytime, anywhere. Or print via Océ Publisher Select™ software to produce documents for complex projects. These new networking capabilities are supported by stringent security measures. The Windows® Embedded Standard 7 controller guarantees you adhere to the latest IT standards. You also have the most up-to-date security features available, such as antivirus support, HTTPS or even IPsec.

### FAST AND PRODUCTIVE

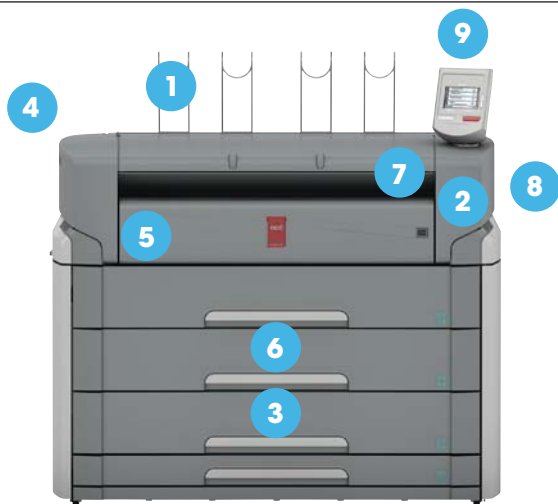
Meet short deadlines and work efficiently with the instant-on performance of Océ Radiant Fusing technology. Get over 27 D-size (A1) size prints, before others have even started printing and consistently turn out 9 D-size (A1) prints per minute, even with mixed sizes. With 6 media rolls, the Océ Double Decker Pro stacker and built-in cutters, you can print and stack up to 3,444 feet (1,050 meters) of output without interruption. Scan and copy as-builts, color markup and other technical documents in one quick and easy step for immediate archiving and distribution.



Océ PLOTWAVE 750 WITH OPTIONAL TC4 SCANNER



Océ PLOTWAVE 750 WITH OPTIONAL Océ FOLDER



**1 NEAT DOCUMENT DELIVERY**

Get neatly collated and stacked documents of up to 100 E-size plots on the Top Delivery Tray thanks to air separation technology. Placed at a convenient working height that does not require extra floor space. If you need more stacking capacity, choose the optional Océ Double Decker Pro Stacker that holds up to 1,500 E-size sheets. Another very practical time saver is the Océ Folder option. Fully integrated with your printer, it generates crisply folded documents automatically freeing up extra time and desk space.

**2 UNMATCHED PRODUCTIVITY WITH OCÉ RADIANT FUSING**

The Océ PlotWave 750 has an instant start-up time and uses half the energy of comparable systems. The printer heats only when printing. When in idle mode, it is cold and uses almost no energy. That means you do not have to make a trade-off between speed and energy consumption.

**3 AUTOMATED ROLL CHANGING**

Save time and effort. Simply open the drawer and place your new roll of paper on the loading station. You don't need an extra table to hold your paper rolls, and you don't have to balance awkward rolls of paper. Put the new roll on the sturdy holder and click it into place. Just press a button to feed the paper into the machine, or to cleanly cut a strip off the roll.

**4 RELIABLE PERFORMANCE**

Take advantage of better print quality with high resolution Pico Printing at 600 x 1200 dpi. Drawings and renderings have crisp gray lines and smooth shading. Enjoy a long productive system lifetime thanks to the system's robust and durable construction.

**5 CLOSED TONER SYSTEM**

The toner system is completely closed and easy to reach. Toner stays inside the printer and off hands and clothes. This keeps the system running smoothly and cleanly since waste toner is captured and removed. Bottles are designed for easy handling and storage.

**6 MAXIMIZED OUTPUT**

Make sure you optimize your product configuration to fully support your business efficiency. Choose between a 2-, 4- or 6-roll capability plus 1 or 2 cut sheet trays. Each roll can contain up to 650 feet, which gives you up to 3,900 feet of uninterrupted printing in a 6-roll configuration. The system is field-upgradeable, to ensure you can grow as your needs change.

**7 SUPER COLOR SCANNING WITH OCÉ COLOR IMAGE LOGIC TECHNOLOGY**

Océ Color Image Logic™ technology splits the original image into several layers, eliminates wrinkles in an image, and reinforces weak color information. This results in the highest-quality scans in its segment.

**8 FITS YOUR WORKFLOW**

The Océ PlotWave 750 software is completely aligned with the latest Océ product family, both in black & white and in color. With this software portfolio, you can submit all kinds of jobs, from the very easy to the most complex. This guarantees not only a productive system, but also that your entire workflow is as efficient as possible.

**9 SECURITY**

Make sure your data but also its transportation is protected. The Windows® Embedded Standard 7 controller guarantees you adhere to the latest IT standards. You also have the most up-to-date security features available, such as antivirus support, HTTPS or even IPsec.

**COST-EFFECTIVE**

Earn back your investment quickly with this cost-effective system. Choose the combination of document handling features that best fits your budget and the size and scope of your document needs. Based on proven technology used in systems worldwide. Built to last with durable, hard-wearing parts, you get dependable uptime with fewer jams, shorter downtime and fewer service calls.

**EASE OF USE**

This system makes it easy for any user to get great results. Everything from media roll placement and toner loading to print job management has been carefully designed to be ergonomically correct and highly intuitive. The green button approach to scanning offers great quality output at the touch of a button. Get results right the first time with no need for troubleshooting. Thanks to low noise, ozone and heat emissions, this system can be comfortably placed in a departmental environment.



TECHNOLOGY	
Description	Productive large format black & white print/copy/scan system with color scanning
Imaging technology	Electrophotography (LED), organic photoconductor (OPC), closed toner system, Océ Radiant Fusing technology
Toner / ink type	Océ black toner: 2 bottles per carton, 500 grams of toner per bottle
Speed	Black & white: 9 D/min (4.7 A0/min)
Resolution	600 × 1200 dpi
GENERAL	
Configuration	Printer or multi functional with choice of Océ TC4 or Océ TDS610* scanners (support available December 2013)
Size print engine (W x D x H)	57" × 32" × 58" (1430 × 905 × 1470 mm)
Weight main engine	639 lbs. (290 kg)
Certifications	EPA ENERGY STAR®, TÜV GS, CETECOM, CE, UL, cUL, CB, FCC Class B, RoHS
PAPER HANDLING	
Paper rolls	Default: 2 rolls, expandable to a maximum of 6 rolls and two cut sheet trays
Maximum paper capacity	Up to 650 feet (198 m) per roll, maximum 6 rolls
Paper weight	20 – 24 lb. (75 – 100 g/m <sup>2</sup> )
Roll width	11" – 36" (297 – 914 mm)
Output delivery	Compact and ergonomic top delivery tray supporting up to 100 E-size collated plots (other options available)
Media type (www.mediaguide.oce.com)	Paper: plain paper, recycled paper, colored paper and transparencies. Film: Film and Vellum.
CONTROLLER	
Description	Océ Power Logic® controller based on Windows® Embedded Standard 7
Processor	Intel Core 2 i5-520M @ 2.39GHz
Memory	Standard 2 GB
Hard disk	2 × 500 GB
Interface	Ethernet 100 Mbits/s, 1 Gbit/s
Page description language	TIFF, JPEG, HP-GL, HP-GL/2, DWF, C4, Calcomp 906/907/951, CALS, NIRS, ASCII
Security	E-shredding, IPSec, HTTPS, extended security protection for administrator, audit logging
Options	Adobe® PostScript® 3/PDF file interpreter
Printer license	Océ Base license – includes all licenses for professional workflow requirements such as scan-to-file capability (color, grayscale, and black & white) and provides features for enhanced productivity like faster scanning speed as well as instant viewing of scanned files.
WORKFLOW	
Description	Concurrent print, copy and scan of single documents or sets
Printer drivers	Océ Wide format Printer Driver 2.0, Océ PostScript 3 driver
Job submission	Océ Mobile WebTools for iOS, Android, Symbian and BlackBerry®, Océ Publisher Mobile for iPad, Océ Publisher Express, Océ Publisher Select
Job management	Personalized Smart Inbox with history, Manage queue, Océ Express WebTools, Secure controller access, remote shutdown and restart
Accounting	Option: Océ Account Center
Templates	5 copy templates, 5 scan templates and default print settings enable recurring tasks to be performed at the touch of a single button
OPTIONS	
Hardware	Océ TC4 wide format color scanner, Océ TDS610 productive wide format scanner, integrated folder, Océ Delivery Tray, Océ Double Decker Pro Stacker, roll loaders to reduce back strain while loading heavy media in the lower drawers
Software	Adobe® PostScript 3®/PDF, Océ Repro Desk Suite for printing to multiple wide format devices, viewing and cost tracking

Description	Productive large format black & white print/copy/scan system with color scanning
Imaging technology	Electrophotography (LED), organic photoconductor (OPC), closed toner system, Océ Radiant Fusing technology
Toner / ink type	Océ black toner: 2 bottles per carton, 500 grams of toner per bottle
Speed	Black & white: 9 D/min (4.7 A0/min)
Resolution	600 × 1200 dpi
GENERAL	
Configuration	Printer or multi functional with choice of Océ TC4 or Océ TDS610* scanners (support available December 2013)
Size print engine (W x D x H)	57" × 32" × 58" (1430 × 905 × 1470 mm)
Weight main engine	639 lbs. (290 kg)
Certifications	EPA ENERGY STAR®, TÜV GS, CETECOM, CE, UL, cUL, CB, FCC Class B, RoHS
PAPER HANDLING	
Paper rolls	Default: 2 rolls, expandable to a maximum of 6 rolls and two cut sheet trays
Maximum paper capacity	Up to 650 feet (198 m) per roll, maximum 6 rolls
Paper weight	20 – 24 lb. (75 – 100 g/m <sup>2</sup> )
Roll width	11" – 36" (297 – 914 mm)
Output delivery	Compact and ergonomic top delivery tray supporting up to 100 E-size collated plots (other options available)
Media type (www.mediaguide.oce.com)	Paper: plain paper, recycled paper, colored paper and transparencies. Film: Film and Vellum.
CONTROLLER	
Description	Océ Power Logic® controller based on Windows® Embedded Standard 7
Processor	Intel Core 2 i5-520M @ 2.39GHz
Memory	Standard 2 GB
Hard disk	2 × 500 GB
Interface	Ethernet 100 Mbits/s, 1 Gbit/s
Page description language	TIFF, JPEG, HP-GL, HP-GL/2, DWF, C4, Calcomp 906/907/951, CALS, NIRS, ASCII
Security	E-shredding, IPSec, HTTPS, extended security protection for administrator, audit logging
Options	Adobe® PostScript® 3/PDF file interpreter
Printer license	Océ Base license – includes all licenses for professional workflow requirements such as scan-to-file capability (color, grayscale, and black & white) and provides features for enhanced productivity like faster scanning speed as well as instant viewing of scanned files.
WORKFLOW	
Description	Concurrent print, copy and scan of single documents or sets
Printer drivers	Océ Wide format Printer Driver 2.0, Océ PostScript 3 driver
Job submission	Océ Mobile WebTools for iOS, Android, Symbian and BlackBerry®, Océ Publisher Mobile for iPad, Océ Publisher Express, Océ Publisher Select
Job management	Personalized Smart Inbox with history, Manage queue, Océ Express WebTools, Secure controller access, remote shutdown and restart
Accounting	Option: Océ Account Center
Templates	5 copy templates, 5 scan templates and default print settings enable recurring tasks to be performed at the touch of a single button
OPTIONS	
Hardware	Océ TC4 wide format color scanner, Océ TDS610 productive wide format scanner, integrated folder, Océ Delivery Tray, Océ Double Decker Pro Stacker, roll loaders to reduce back strain while loading heavy media in the lower drawers
Software	Adobe® PostScript 3®/PDF, Océ Repro Desk Suite for printing to multiple wide format devices, viewing and cost tracking



## ENVIRONMENTAL

Sound power level
Ozone emissions
Power requirements
Power consumption active mode (printing)
Power consumption ready mode (standby)
Power consumption sleep mode
Energy consumption per print
Recyclability

<ul style="list-style-type: none"> <li>• Sound pressure active mode (printing): 58 dB(A) measured at operator level conform ISO norm 7779</li> <li>• Sound pressure ready mode (standby): 18 dB(A) measured at operator level conform ISO norm 7779</li> <li>• Standby mode: maximum 26 dB</li> <li>• Print mode: maximum 58 dB</li> </ul>
0.001 mg/m <sup>3</sup>
100 – 120 V, 200 – 240 V; 50/60 Hz; 20 – 10 A
<ul style="list-style-type: none"> <li>• 1560 W (printer + controller)</li> <li>• 1625 W (printer + Océ TC4 scanner + controller)</li> </ul>
<ul style="list-style-type: none"> <li>• 108 W (printer + controller)</li> <li>• 110 W (printer + Océ TC4 scanner + controller)</li> </ul>
<ul style="list-style-type: none"> <li>• &lt; 2.9 W (printer without controller) EPA ENERGY STAR 2.0</li> <li>• 70 W (printer + Océ TC4 scanner + controller)</li> </ul>
<ul style="list-style-type: none"> <li>• 15 Wh per E-size (A0) calculated average based on an E-size (A0) print per EPA ENERGY STAR TEC method</li> <li>• 8 Wh per D-size</li> </ul>
Hardware: made of steel or highly recyclable plastics: up to 95% of the engine can either be upcycled or recycled. Remaining 5% are non toxic waste.
Toner: bottles made of highly recyclable HDPE (High Density Polyethylene)

## SCANNER TC4

Description
Scan resolution
Scan speed
Scan format
Scan destination
Original width
Original length
Original thickness
Zoom
Preset modes
Size scanner (W x D x H)
Weight scanner

Océ TC4 scanner with Océ Direct Scan color technology (single camera, single mirror)
Optical 575 dpi, maximum 600 dpi
Black & white: 2" – 3.3"/sec. (3 – 5 m/min) Color: 0.7" – 2.8"/sec. (1 – 4 m/min)
TIFF, PDF, PDF/A, JPEG, CALS, multi-page PDF, multi-page PDF/A and multi-page TIFF
Network Directory via FTP or SMB and on Controller
8" – 40" (200 – 1016 mm)
8" – 72" (200 mm – 22 m)
Up to .12" (3 mm); optional scanner up to .59" (15 mm)
Scale to standard format: Custom: 10 – 1000 %
Lines & text, Photo, Grays & lines, Dark original, Blueprint
53" x 26" x 51" (1353 x 670 x 1300 mm)
143 lbs. (65 kg)

## SCANNER TDS610\*

Description
Scan resolution
Scan speed
Scan format
Scan destination
Original width
Original length
Original thickness
Zoom
Preset modes
Size scanner (W x D x H)
Weight scanner

Océ TDS610 scanner with Océ Image Logic® technology (single camera, single mirror)
400 dpi
Black & white: 3.3"/sec. – 6.4"/sec. (5 m/min – 9.7m/min) at 200 dpi
TIFF (uncompressed, G3, G4), PDF,CALS
Network Directory via FTP or SMB and on Controller
9.7" – 40" (210 – 1020 mm)
6" – 49" (150 mm – 15 m)
.04" (1 mm) of original and up to .12" (3 mm) for binding strip
25 – 400 % (adjustable in 1% and 0.1% steps)
Photo, Grays & lines, Dark original, Blueprint, Printed matter
52" x 23" x 54" (1340 x 583 x 1353 mm)
198.4 lbs. (90 kg)

\*Support available 12-1-13

## Environmental Certifications



**Mixed Sources**  
Product group from well-managed forests and other controlled sources  
www.fsc.org Cert no. SCS-COC-00856  
© 1996 Forest Stewardship Council



## Awards



communication design award

2006



product design award

2006



product design award

2007 gold



product design award

2008



## Partners Certifications



www.dicarlotech.com  
410-749-0112



## Creating global leadership in printing

Canon and Océ join forces to create the global leader in the printing industry. For our customers this combines Canon and Océ technology with the support of the Océ direct sales and service organizations. Look to the new Canon-Océ combination for:

- Enterprise printing in the office and corporate printroom
- Large format printing of technical documentation, signage and display graphics
- Production printing for marketing service bureaus and graphic arts
- Business services for document process outsourcing

**Canon**  
CANON SOLUTIONS AMERICA

**Platinum Partner**

**B. L. Makepeace, Inc.**

575 University Ave., Suite D  
Norwood, MA 02062

617-782-9768  
sales@makepeace.com

**WWW.MAKEPEACE.COM**

**Canon**

CANON SOLUTIONS AMERICA

The Océ logo, Océ, Océ PlotWave, Océ ColorWave, Océ PowerLogic, Océ ImageLogic and Océ Repro Desk are registered trademarks of Océ-Technologies B.V. Océ Publisher Select and Océ Color Image Logic are trademarks of Océ-Technologies B.V. CANON is a registered trademark of Canon Inc. in the United States and may also be registered trademarks or trademarks in other countries. All other referenced product names and marks are trademarks of their respective owners and are hereby acknowledged. ©2013 Canon Solutions America, Inc. All rights reserved.